

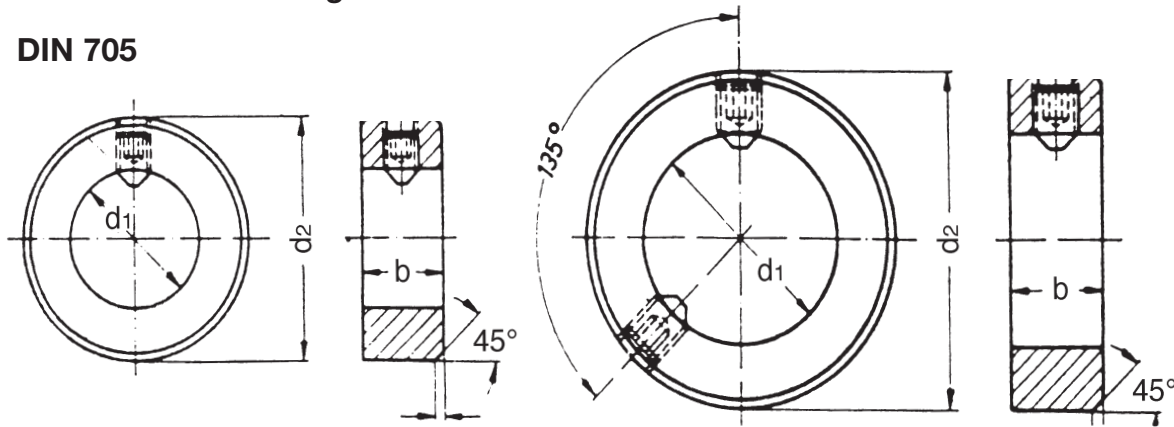
STOPPRINGAR

SET COLLARS

Material: Automat stål

Material: Free cutting steel

DIN 705



Best Nr. Code	d1 H8	d2	b
705002	2.0	6	3.5
7050025	2.5	7	4
705003	3.0	7	5
7050035	3.5	8	5
705004	4.0	8	5
7050045	4.5	10	6
705005	5.0	10	6
7050055	5.5	12	6
705006	6.0	12	8
705007	7.0	12	8
705008	8.0	16	8
705009	9.0	18	10
705010	10.0	20	10
705011	11.0	20	10
705012	12.0	22	12
705013	13.0	22	12
705014	14.0	25	12
705015	15.0	25	12
705016	16.0	28	12
705017	17.0	28	12
705018	18.0	32	14
705020	20.0	32	14
705022	22.0	36	14
705024	24.0	40	16
705025	25.0	40	16
705026	26.0	40	16
705028	28.0	45	16
705030	30.0	45	16
705032	32.0	50	16
705034	34.0	50	16
705035	35.0	56	16
705036	36.0	56	16
705038	38.0	56	16

Best Nr. Code	d1 H8	d2	b
705040	40.0	63	18
705042	42.0	63	18
705045	45.0	70	18
705048	48.0	70	18
705050	50.0	80	18
705052	52.0	80	18
705055	55.0	80	18
705056	56.0	80	18
705058	58.0	90	20
705060	60.0	90	20
705063	63.0	90	20
705065	65.0	100	20
705068	68.0	100	20
705070	70.0	100	20
705072	72.0	110	22
705075	75.0	110	22
705080	80.0	110	22
705085	85.0	125	22
705090	90.0	125	22
705095	95.0	140	25
705100	100.0	140	25
705110	110.0	160	25
705120	120.0	160	25
705125	125.0	180	28
705130	130.0	180	28
705140	140.0	200	28
705150	150.0	200	28
705160	160.0	220	32
705170	170.0	250	32
705180	180.0	250	32
705190	190.0	280	32
705200	200.0	280	32

Från 2 - 70 mm en stoppskruv.
Från 72 - 200 två stoppskruvar.

*From 2 - 70 mm one set-screw.
From 72 - 200 two set-screws.*