

POLYGONAXLAR OCH HYLOR

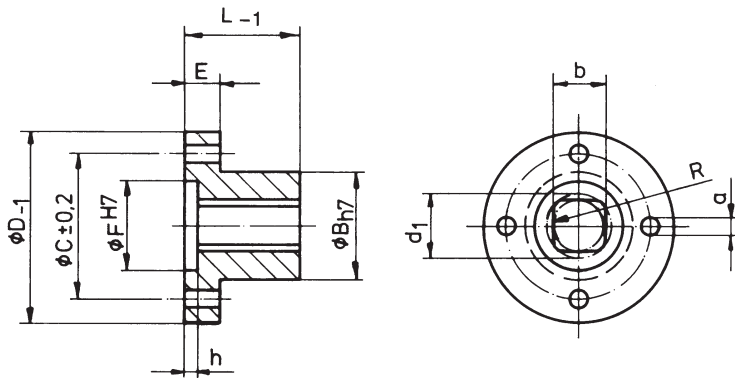
POLYGON SHAFTS AND NAVES

Navhylsa
 Profil DIN 32712

Hubs
 Profile DIN 32712

Tillverkas i:
 Stål C45 St
 Stål C45 nitrerad Stn
 Brons Bz 12 Bz
 Andra material på förfrågan

Available
 Steel CK 45 St
 Steel CK 45 nitrided Stn
 Bronze Bz 12 Bz
 Other qualities on request.



Typ Type	Dimensioner - Dimension													Vikt kg/st Weight kg/pcs
	b	d1	R	b H7	d1 H11	D -1.0	B	C	L -1.0	E	F	h	a	
PH 14.11	11	14	31.1	+0.018 0	+0.110 0	42	22	30	28	8	20	3.0	5.3	0.12
PH 20.17	17	20	56.5			54	30	40	40	9	25	3.0	5.3	0.24
PH 25.21	21	25	90.5	+0.021 0	+0.130 0	65	38	50	50	10	30	3.5	6.4	0.44
PH 30.25	25	30	92.5			79	45	60	60	12	40	4.0	8.4	0.77
PH 35.30	30	35	95.0	+0.025 0	+0.160 0	84	50	65	65	12	45	4.0	8.4	0.89
PH 40.35	35	40	116.0			90	55	70	70	15	50	4.0	8.4	1.10
PH 45.40	40	45	116.0			95	60	75	80	15	55	4.0	8.4	1.27
PH 50.43	43	50	117.5	+0.030 0	+0.190 0	108	70	85	85	16	60	4.0	10.5	2.00
PH 60.53	53	60	122.5			118	80	96	98	16	70	4.0	10.5	2.32
PH 70.60	60	70	126.0			130	90	106	110	18	80	4.0	10.5	3.36