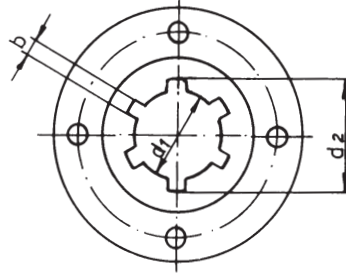
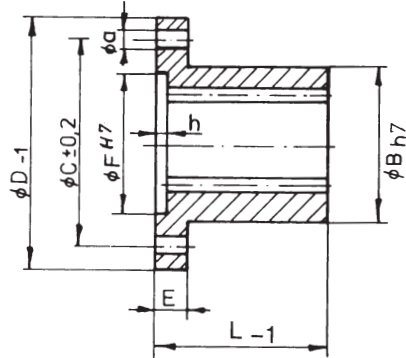


SPLINESAXLAR OCH HYLSOR

SPLINE SHAFTS AND NAVES

Nav hylsa / Hubs

Profile ISO 14 (DIN 5463)



Tillverkas i:
Stål C45
Stål C45 nitrerad
Bronze JM3

Available in:
Steel C45
Steel C45 nitrided
bronze JM3

Typ Type	Antal bommar No. of key grooves n	Dimensioner / Dimensions														Vikt kg/st Weight kg/pcs	
		b	d1	d2	Toleranser / Tolerance			D -1.0	B	C	L -1.0	E	F	h	a1		
H 11.14	6	3.0	11	14	+ 0.045 + 0.020	+ 0.018 0	+ 0.11 0	38	20	28	30	8	18	3.0	4.3	0.11	
H 13.16	6	3.5	13	16	+ 0.060 + 0.030			+ 0.021 0	43	24	32	30	8	20	3.0	4.3	0.14
H 16.20	6	4.0	16	20		52	28		38	35	9	26	3.0	5.3	0.18		
H 18.22	6	5.0	18	22		54	30		40	40	9	28	3.0	5.3	0.23		
H 21.25	6	4.0	21	25		62	34		48	50	10	35	3.5	6.4	0.33		
H 23.28	6	6.0	23	28		64	36		50	55	10	35	3.5	6.4	0.43		
H 26.32	6	6.0	26	32		69	42		56	60	10	40	3.5	6.4	0.55		
H 28.34	6	7.0	28	34	+ 0.076 + 0.030	+ 0.025 0	+ 0.16 0	78	46	60	60	14	45	4.0	8.4	0.85	
H 32.38	8	6.0	32	38	+ 0.060 + 0.030			82	50	65	70	14	45	4.0	8.4	1.05	
H 36.42	8	7.0	36	42	+ 0.076 + 0.040			90	54	70	80	16	55	4.0	10.5	1.20	
H 42.48	8	8.0	42	48				95	60	75	90	16	60	4.0	10.5	1.32	
H 46.54	8	9.0	46	54				+ 0.019 0	100	65	80	100	16	65	4.0	10.5	1.58