

SPLINESAXLAR OCH HYLSOR

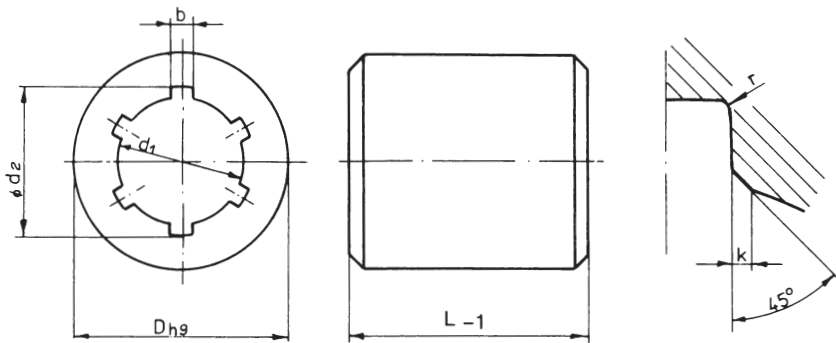
SPLINE SHAFTS AND NAVES

Rund hylsa
DIN 5463 (ISO 14)

Sliding naves
DIN 5463 (ISO 14)

Tillverkas i:
Stål C45
Brons JM3

Available:
Steel C45
Bronze JM3



Typ Type	Antal bommar No of key grooves n	Dimensioner / Dimensions					Max mått Max size		Vikt kg/st Weight kg/pcs
		b	d1	d2	D	L -1.0	K	r	
SH 11.14	6	3.0	11	14	28	22	0.3	0.2	0.11
SH 13.16	6	3.5	13	16	32	26			0.15
SH 16.20	6	4.0	16	20	35	32			0.25
SH 18.22	6	5.0	18	22	40	36			0.36
SH 21.25	6	4.0	21	25	45	42			0.52
SH 23.28	6	6.0	23	28	50	46			0.65
SH 26.32	6	6.0	26	32	55	52	0.4	0.3	0.85
SH 28.34	6	7.0	28	34	60	56			0.95
SH 32.38	8	6.0	32	38	65	64			1.25
SH 36.42	8	7.0	36	42	70	72			1.62
SH 42.48	8	8.0	42	48	75	80			2.15
SH 46.54	8	9.0	46	54	80	90	0.5	0.5	2.45
SH 1 3/8"	6	8.8	29	34.92	50	80	0.4	0.3	1.35