

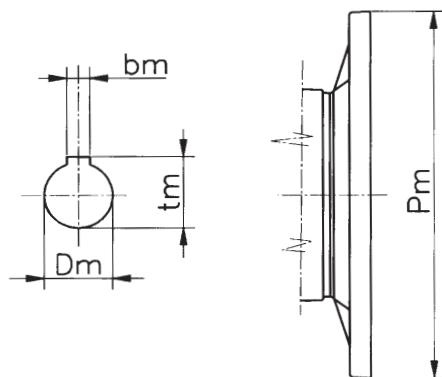
SNÄCKVÄXLAR

WORM GEAR UNITS

Pam B5

Dimensioner

Dimensions



| B5 | IEC | | | | | | | | | | |
|----|-------|-------|-------|-------|-------|-------|-------|-------|-------|-------|-------|
| | 056 | 063 | 071 | 080 | 090 | 100 | 112 | 132 | 160 | 180 | 200 |
| Pm | 120.0 | 140.0 | 160.0 | 200.0 | 200.0 | 250.0 | 250.0 | 300.0 | 350.0 | 350.0 | 400.0 |
| Dm | 9.0 | 11.0 | 14.0 | 19.0 | 24.0 | 28.0 | 28.0 | 38.0 | 42.0 | 48.0 | 55.0 |
| bm | 3.0 | 4.0 | 5.0 | 6.0 | 8.0 | 8.0 | 8.0 | 10.0 | 12.0 | 14.0 | 16.0 |
| tm | 10.4 | 12.8 | 16.3 | 21.8 | 27.3 | 31.3 | 31.3 | 41.3 | 45.3 | 51.8 | 59.3 |

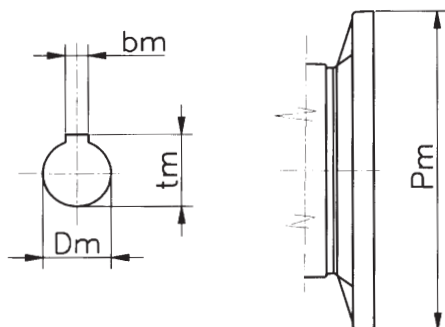
NMRV (110 ÷ 130) tm = 40.3 (IEC 132)

G

Pam B14

Dimensioner

Dimensions



| B14 | IEC | | | | | | | | |
|-----|------|------|-------|-------|-------|-------|-------|-------|--|
| | 056 | 063 | 071 | 080 | 090 | 100 | 112 | 132 | |
| Pm | 80.0 | 90.0 | 105.0 | 120.0 | 140.0 | 160.0 | 160.0 | 200.0 | |
| Dm | 9.0 | 11.0 | 14.0 | 19.0 | 24.0 | 28.0 | 28.0 | 38.0 | |
| bm | 3.0 | 4.0 | 5.0 | 6.0 | 8.0 | 8.0 | 8.0 | 10.0 | |
| tm | 10.4 | 12.8 | 16.3 | 21.8 | 27.3 | 31.3 | 31.3 | 41.3 | |