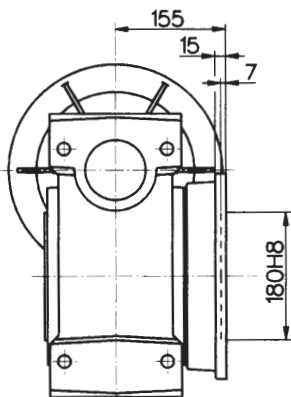
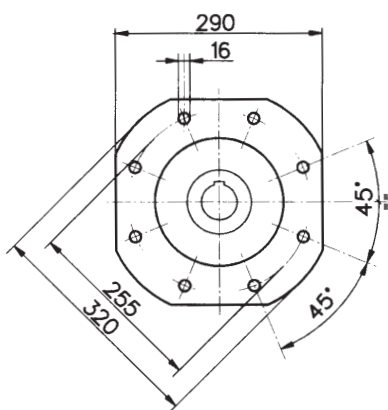
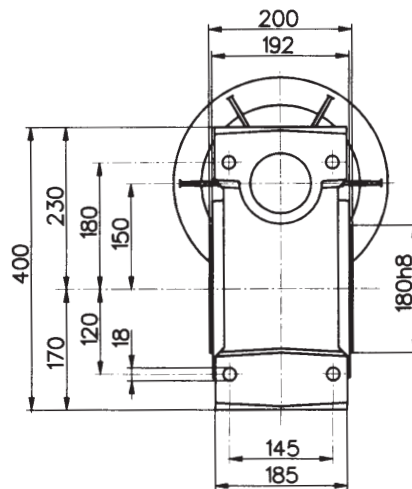
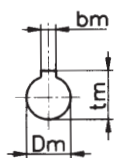
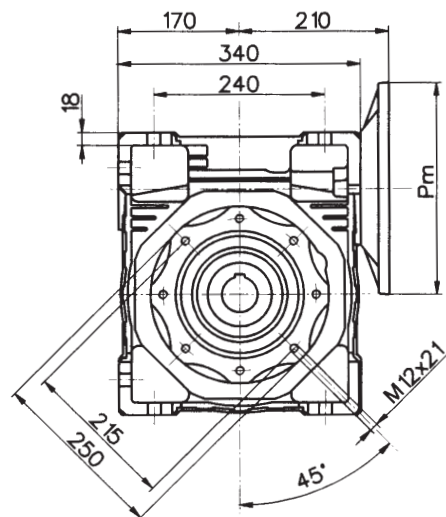


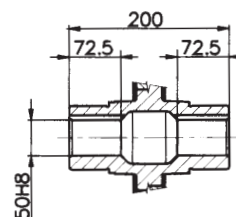
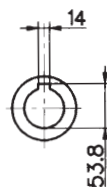
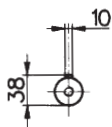
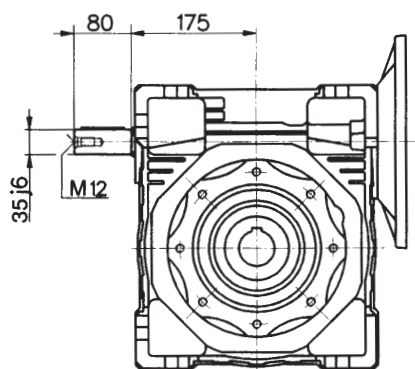
**Måttskiss**

**NMRV 150**

**Dimensions**



- F -



**VS**

Vikt utan motor ≈ 84.0 kg  
Weight without motor ≈ 84.0 kg

För anslutning Fläns - motor (mått Pm, Dm, bm, tm) se sidan 68.  
For the dimensions concerning the motor connection area (Pm, Dm, bm, tm) please refer to the table shown at page 68.