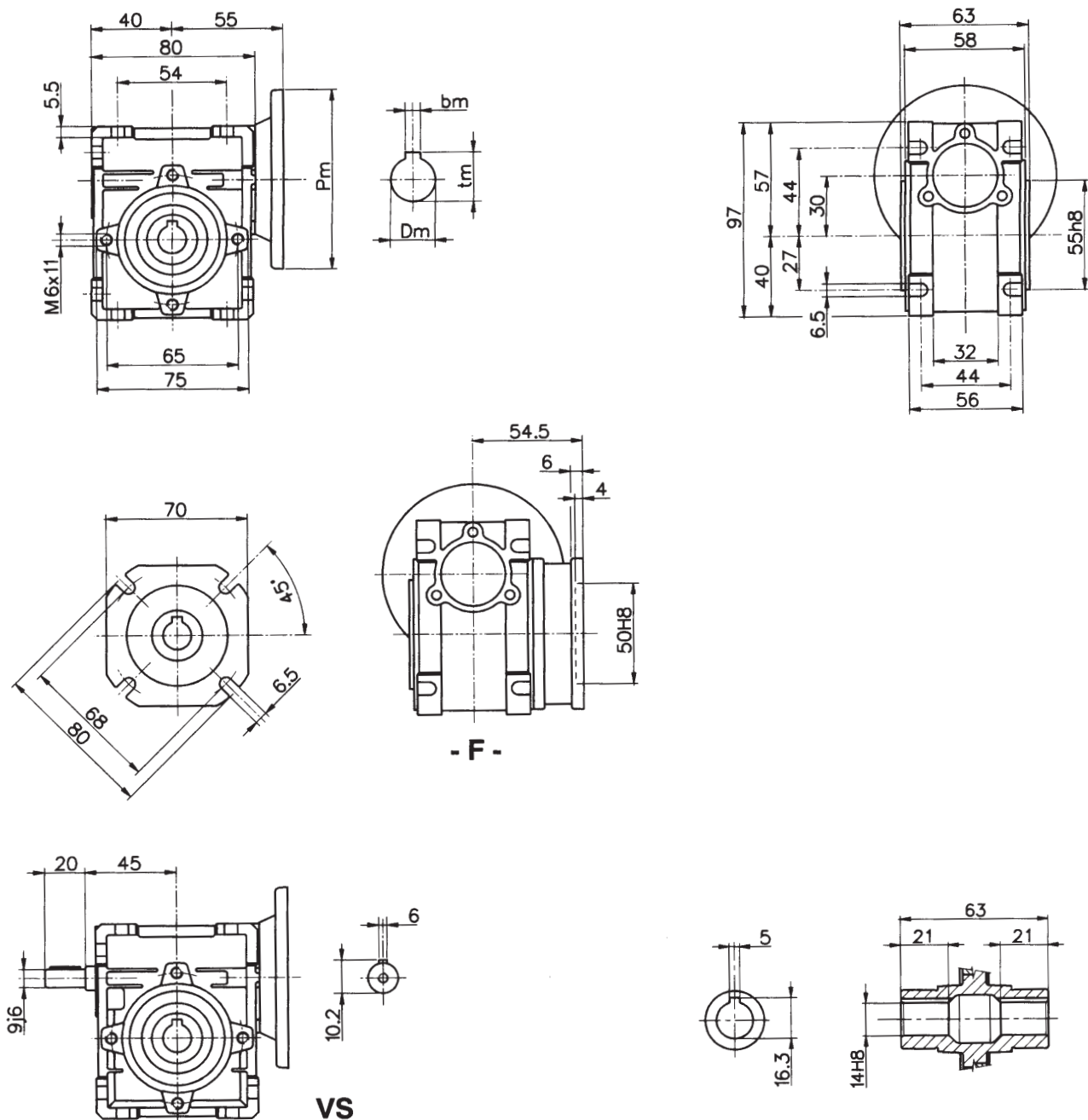


**Måttskiss**

**NMRV 030**

**Dimensions**



Vikt utan motor  $\approx$  1.2 kg  
Weight without motor  $\approx$  1.2 kg

För anslutning Fläns - motor (mått Pm, Dm, bm, tm) se sidan 68.  
For the dimensions concerning the motor connection area (Pm, Dm, bm, tm) please refer to the table shown at page 68.