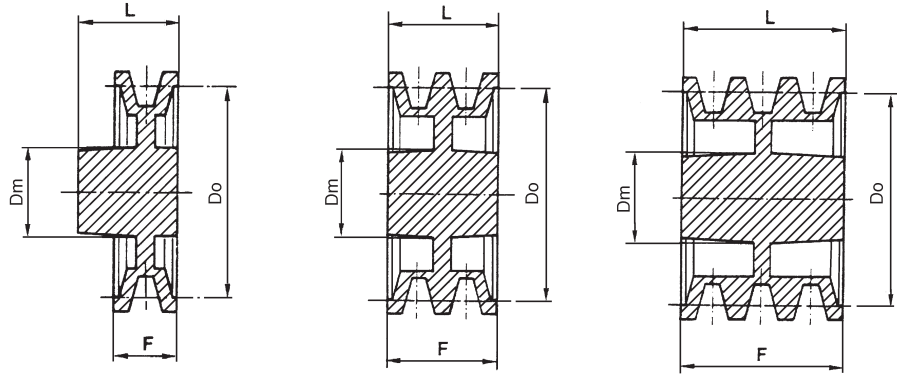


KILREMSSKIVOR I ALUMINIUM, FÖRBORRADE

V-BELT PULLEYS IN ALUMINIUM, PILOT BORE

Profil B/SPB/5V

Profile B/SPB/5V



* = Utförande med liv / Plate pulley
 • = Utförande med ekrar / Arm pulley

Do	Ant. spår	Best. Nr.	Typ	Dm	F	L	Vikt / kg
Grooves	Code	Type					weight / kgs
40	1	BSPBA401FB	*	35	25	39	0.13
	2	BSPBA402FB	*	-	45	45	0.14
	3	BSPBA403FB	*	-	65	65	0.20
50	1	BSPBA501FB	*	37	25	39	0.19
	2	BSPBA502FB	*	45	45	45	0.21
	3	BSPBA503FB	*	45	65	65	0.28
60	1	BSPBA601FB	*	39	25	39	0.23
	2	BSPBA602FB	*	45	45	45	0.30
	3	BSPBA603FB	*	45	65	65	0.43
65	1	BSPBA651FB	*	40	25	39	0.25
	2	BSPBA652FB	*	45	45	45	0.37
	3	BSPBA653FB	*	45	65	65	0.53
70	1	BSPBA701FB	*	40	25	39	0.27
	2	BSPBA702FB	*	45	45	45	0.41
	3	BSPBA703FB	*	45	65	65	0.61
75	1	BSPBA751FB	*	42	25	39	0.30
	2	BSPBA752FB	*	45	45	45	0.48
	3	BSPBA753FB	*	50	65	65	0.69
80	1	BSPBA801FB	*	42	25	39	0.33
	2	BSPBA802FB	*	45	45	45	0.53
	3	BSPBA803FB	*	50	65	65	0.77
85	1	BSPBA851FB	*	45	25	39	0.38
	2	BSPBA852FB	*	45	45	45	0.60
	3	BSPBA853FB	*	50	65	65	0.88
90	1	BSPBA901FB	*	45	25	39	0.40
	2	BSPBA902FB	*	45	45	45	0.64
	3	BSPBA903FB	*	50	65	65	0.97
95	1	BSPBA951FB	*	46	25	39	0.41
	2	BSPBA952FB	*	50	45	45	0.72
	3	BSPBA953FB	*	50	65	65	1.12
100	1	BSPBA1001FB	*	46	25	39	0.45
	2	BSPBA1002FB	*	50	45	45	0.76
	3	BSPBA1003FB	*	50	65	65	1.07
105	1	BSPBA1051FB	*	49	25	39	0.48
	2	BSPBA1052FB	*	50	45	45	0.75
	3	BSPBA1053FB	*	50	65	65	1.13
110	1	BSPBA1101FB	*	49	25	39	0.55
	2	BSPBA1102FB	*	50	45	45	0.78
	3	BSPBA1103FB	*	50	65	65	1.24
112	1	BSPBA1121FB	*	49	25	39	0.55
	2	BSPBA1122FB	*	50	45	45	0.82
	3	BSPBA1123FB	*	50	65	65	1.25
115	1	BSPBA1151FB	*	50	25	39	0.57
	2	BSPBA1152FB	*	55	45	45	0.95
	3	BSPBA1153FB	*	53	65	65	1.26
120	1	BSPBA1201FB	*	50	25	39	0.59
	2	BSPBA1202FB	*	55	45	45	0.88
	3	BSPBA1203FB	*	53	65	65	1.29
125	1	BSPBA1251FB	*	52	25	39	0.62
	2	BSPBA1252FB	*	55	45	45	0.85
	3	BSPBA1253FB	*	54	65	65	1.30
130	1	BSPBA1301FB	*	52	25	39	0.65
	2	BSPBA1302FB	*	55	45	45	0.97
	3	BSPBA1303FB	*	54	65	65	1.36
135	1	BSPBA1351FB	*	54	25	39	0.67
	2	BSPBA1352FB	*	55	45	45	1.01
	3	BSPBA1353FB	*	56	65	65	1.56
140	1	BSPBA1401FB	*	54	25	39	0.68
	2	BSPBA1402FB	*	55	45	45	1.08
	3	BSPBA1403FB	*	56	65	65	1.50

Do	Ant. spår	Best. Nr.	Typ	Dm	F	L	Vikt / kg
Grooves	Code	Type					weight / kgs
150	1	BSPBA1501FB	*	55	25	39	0.77
	2	BSPBA1502FB	*	55	45	45	1.19
	3	BSPBA1503FB	*	59	65	65	1.73
160	1	BSPBA1601FB	*	55	25	39	0.93
	2	BSPBA1602FB	*	55	45	45	1.38
	3	BSPBA1603FB	*	59	65	65	1.86
165	1	BSPBA1651FB	*	57	25	39	0.82
	2	BSPBA1652FB	*	60	45	45	1.26
	3	BSPBA1653FB	*	62	65	65	1.92
170	1	BSPBA1701FB	*	57	25	39	0.92
	2	BSPBA1702FB	*	60	45	45	1.32
	3	BSPBA1703FB	*	62	65	65	2.01
180	1	BSPBA1801FB	*	58	25	39	0.96
	2	BSPBA1802FB	*	62	45	45	1.46
	3	BSPBA1802FB	*	64	65	65	2.11
190	1	BSPBA1901FB	*	60	25	39	1.15
	2	BSPBA1902FB	*	64	45	45	1.44
	3	BSPBA1903FB	*	65	65	65	2.31
200	1	BSPBA2001FB	*	62	25	39	1.13
	2	BSPBA2002FB	*	65	45	45	1.61
	3	BSPBA2003FB	*	67	65	65	2.37
210	1	BSPBA2101FB	•	58	25	39	1.14
	2	BSPBA2102FB	•	60	45	45	1.65
	3	BSPBA2103FB	•	62	65	65	2.34
220	1	BSPBA2201FB	•	58	25	39	1.16
	2	BSPBA2202FB	•	60	45	45	1.62
	3	BSPBA2203FB	•	62	65	65	2.43
225	1	BSPBA2251FB	•	60	25	39	1.14
	2	BSPBA2252FB	•	60	45	45	1.62
	3	BSPBA2253FB	•	64	65	65	2.33
230	1	BSPBA2301FB	•	60	25	39	1.23
	2	BSPBA2302FB	•	60	45	45	1.75
	3	BSPBA2303FB	•	64	65	65	2.62
240	1	BSPBA2401FB	•	60	25	39	1.26
	2	BSPBA2402FB	•	65	45	45	1.92
	3	BSPBA2403FB	•	65	65	65	2.76
250	1	BSPBA2501FB	•	64	25	39	1.24
	2	BSPBA2502FB	•	60	45	45	1.94
	3	BSPBA2503FB	•	66	65	65	2.90
280	1	BSPBA2801FB	•	65	25	39	1.53
	2	BSPBA2802FB	•	65	45	45	2.10
	3	BSPBA2803FB	•	68	65	65	3.13
300	1	BSPBA3001FB	•	65	25	39	1.61
	2	BSPBA3002FB	•	65	45	45	2.43
	3	BSPBA3003FB	•	70	65	65	3.50
320	1	BSPBA3201FB	•	65	25	39	2.02
	2	BSPBA3203FB	•	65	45	45	2.76
	3	BSPBA3203FB	•	70	65	65	3.64
325	1	BSPBA3251FB	•	65	25	39	2.04
	2	BSPBA3252FB	•	68	45	45	2.98
	3	BSPBA3253FB	•	74	65	65	3.78
350	1	BSPBA3501FB	•	65	25	39	2.09
	2	BSPBA3502FB	•	68	45	45	2.97
	3	BSPBA3503FB	•	74	65	65	4.06
400	1	BSPBA4001FB	•	70	25	39	2.25
	2	BSPBA4002FB	•	70	45	45	3.50
	3	BSPBA4003FB	•	78	65	65	5.43
450	1	BSPBA4501FB	•	75	25	39	3.05
	2	BSPBA4502FB	•	74	45	45	4.47
	3	BSPBA4503FB	•	82	65	65	5.84
500	1	BSPBA5001FB	•	75	25	39	3.54
	2	BSPBA5002FB	•	82	45	45	4.78
	3	BSPBA5003FB	•	84	65	65	6.69