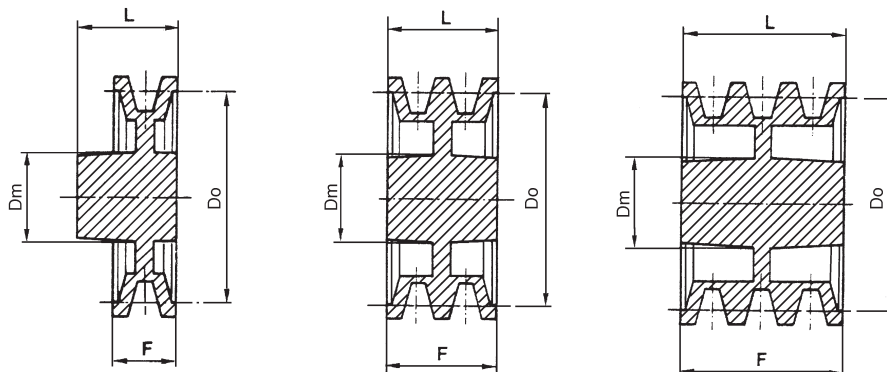


KILREMSSKIVOR I ALUMINIUM, FÖRBORRADE

V-BELT PULLEYS IN ALUMINIUM, PILOT BORE

Profil A/SPA Profile A/SPA



* = Utförande med liv / Plate pulley

• = Utförande med ekrar / Arm pulley

Do	Ant. spår	Best. Nr.	Typ	Dm	F	L	Vikt / kg
Grooves	Code	Type					weight / kgs
40	1	ASPAA401FB	*	31	20	34	0.10
	2	ASPAA402FB	*	-	36	36	0.12
	3	ASPAA403FB	*	-	51	51	0.16
50	1	ASPAA501FB	*	35	20	34	0.14
	2	ASPAA502FB	*	-	36	36	0.18
	3	ASPAA503FB	*	-	51	51	0.24
60	1	ASPAA601FB	*	38	20	34	0.18
	2	ASPAA602FB	*	-	36	36	0.25
	3	ASPAA603FB	*	-	51	51	0.35
65	1	ASPAA651FB	*	39	20	34	0.20
	2	ASPAA652FB	*	40	36	36	0.30
	3	ASPAA653FB	*	40	51	51	0.43
70	1	ASPAA701FB	*	39	20	34	0.23
	2	ASPAA702FB	*	40	36	36	0.34
	3	ASPAA703FB	*	40	51	51	0.46
75	1	ASPAA751FB	*	41	20	34	0.25
	2	ASPAA752FB	*	40	36	36	0.36
	3	ASPAA753FB	*	40	51	51	0.54
80	1	ASPAA801FB	*	41	20	34	0.28
	2	ASPAA802FB	*	40	36	36	0.40
	3	ASPAA803FB	*	40	51	51	0.61
85	1	ASPAA851FB	*	42	20	34	0.31
	2	ASPAA852FB	*	42	36	36	0.47
	3	ASPAA853FB	*	42	51	51	0.70
90	1	ASPAA901FB	*	42	20	34	0.32
	2	ASPAA902FB	*	42	36	36	0.49
	3	ASPAA903FB	*	42	51	51	0.74
95	1	ASPAA951FB	*	44	20	34	0.36
	2	ASPAA952FB	*	45	36	36	0.50
	3	ASPAA953FB	*	45	51	51	0.78
100	1	ASPAA1001FB	*	44	20	34	0.35
	2	ASPAA1002FB	*	45	36	36	0.54
	3	ASPAA1003FB	*	45	51	51	0.75
105	1	ASPAA1051FB	*	45	20	34	0.38
	2	ASPAA1052FB	*	50	36	36	0.53
	3	ASPAA1053FB	*	47	51	51	0.75
110	1	ASPAA1101FB	*	45	20	34	0.39
	2	ASPAA1102FB	*	50	36	36	0.56
	3	ASPAA1103FB	*	47	51	51	0.82
112	1	ASPAA1121FB	*	45	20	34	0.39
	2	ASPAA1122FB	*	50	36	36	0.63
	3	ASPAA1123FB	*	47	51	51	0.93
115	1	ASPAA1151FB	*	47	20	34	0.43
	2	ASPAA1152FB	*	50	36	36	0.57
	3	ASPAA1153FB	*	49	51	51	0.82
120	1	ASPAA1201FB	*	47	20	34	0.46
	2	ASPAA1202FB	*	50	36	36	0.65
	3	ASPAA1203FB	*	49	51	51	0.91
125	1	ASPAA1251FB	*	48	20	34	0.47
	2	ASPAA1251FB	*	50	36	36	0.66
	3	ASPAA1253FB	*	53	51	51	1.06
130	1	ASPAA1301FB	*	48	20	34	0.47
	2	ASPAA1302FB	*	50	36	36	0.66
	3	ASPAA1303FB	*	53	51	51	1.05
135	1	ASPAA1351FB	*	49	20	34	0.50
	2	ASPAA1352FB	*	50	36	36	0.69
	3	ASPAA1353FB	*	54	51	51	1.02
140	1	ASPAA1401FB	*	49	20	34	0.50
	2	ASPAA1402FB	*	50	36	36	0.77
	3	ASPAA1403FB	*	54	51	51	1.08
150	1	ASPAA1501FB	*	51	20	34	0.60
	2	ASPAA1502FB	*	55	36	36	0.82
	3	ASPAA1503FB	*	55	51	51	1.22

Do	Ant. spår	Best. Nr.	Typ	Dm	F	L	Vikt / kg
Grooves	Code	Type					weight / kgs
160	1	ASPAA1601FB	*	53	20	34	0.64
	2	ASPAA1602FB	*	55	36	36	0.93
	3	ASPAA1603FB	*	55	51	51	1.35
165	1	ASPAA1651FB	*	54	20	34	0.67
	2	ASPAA1652FB	*	55	36	36	0.90
	3	ASPAA1653FB	*	58	51	51	1.37
170	1	ASPAA1701FB	*	54	20	34	0.69
	2	ASPAA1702FB	*	55	36	36	0.96
	3	ASPAA1703FB	*	58	51	51	1.44
180	1	ASPAA1801FB	*	55	20	34	0.75
	2	ASPAA1802FB	*	60	36	36	1.08
	3	ASPAA1803FB	*	59	51	51	1.49
190	1	ASPAA1901FB	*	56	20	34	0.77
	2	ASPAA1902FB	*	60	36	36	1.02
	3	ASPAA1903FB	*	60	51	51	1.63
200	1	ASPAA2001FB	*	59	20	34	0.87
	2	ASPAA2002FB	*	60	36	36	1.23
	3	ASPAA2003FB	*	60	51	51	1.63
210	1	ASPAA2101FB	•	60	20	34	0.89
	2	ASPAA2102FB	•	60	36	36	1.20
	3	ASPAA2103FB	•	60	51	51	1.70
220	1	ASPAA2201FB	•	60	20	34	0.90
	2	ASPAA2202FB	•	60	36	36	1.26
	3	ASPAA2203FB	•	60	51	51	1.82
225	1	ASPAA2251FB	•	60	20	34	0.87
	2	ASPAA2252FB	•	60	36	36	1.14
	3	ASPAA2253FB	•	60	51	51	1.72
230	1	ASPAA2301FB	•	60	20	34	0.98
	2	ASPAA2302FB	•	60	36	36	1.32
	3	ASPAA2303FB	•	60	51	51	1.83
240	1	ASPAA2401FB	•	60	20	34	1.05
	2	ASPAA2402FB	•	60	36	36	1.32
	3	ASPAA2403FB	•	60	51	51	1.92
250	1	ASPAA2501FB	•	60	20	34	1.09
	2	ASPAA2502FB	•	60	36	36	1.39
	3	ASPAA2503FB	•	62	51	51	2.08
280	1	ASPAA2801FB	•	60	20	34	1.25
	2	ASPAA2802FB	•	62	36	36	1.59
	3	ASPAA2803FB	•	64	51	51	2.30
300	1	ASPAA3001FB	•	60	20	34	1.35
	2	ASPAA3002FB	•	64	36	36	1.69
	3	ASPAA3003FB	•	70	51	51	2.55
320	1	ASPAA3201FB	•	65	20	34	1.55
	2	ASPAA3202FB	•	64	36	36	1.89
	3	ASPAA3203FB	•	70	51	51	2.72
325	1	ASPAA3251FB	•	65	20	34	1.78
	2	ASPAA3252FB	•	65	36	36	2.27
	3	ASPAA3253FB	•	70	51	51	3.14
350	1	ASPAA3501FB	•	65	20	34	1.69
	2	ASPAA3502FB	•	65	36	36	2.06
	3	ASPAA3503FB	•	70	51	51	2.83
400	1	ASPAA4001FB	•	70	20	34	2.00
	2	ASPAA4002FB	•	68	36	36	2.70
	3	ASPAA4003FB	•	70	51	51	3.77
450	1	ASPAA4501FB	•	70	24	34	2.47
	2	ASPAA4502FB	•	70	36	36	3.44
	3	ASPAA4503FB	•	70	51	51	4.56
500	1	ASPAA5001FB	•	70	20	34	2.37
	2	ASPAA5002FB	•	70	36	36	2.98
	3	ASPAA5003FB	•	70	51	51	5.15