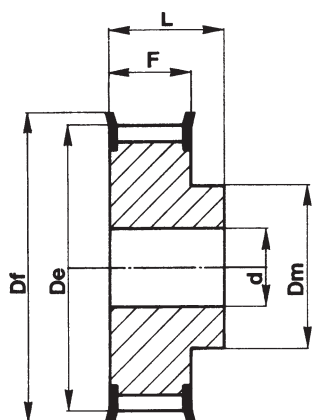


# KUGGREMSHJUL PROFIL AT

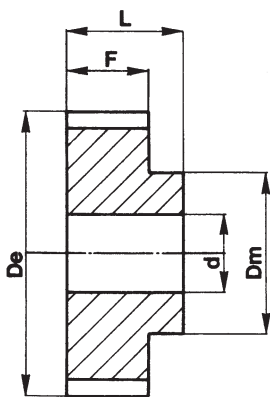
## TIMINGBELT PULLEYS PROFILE AT

Material: Aluminium med stålflansar

Material: Aluminium with steel flanges



Typ / Type 6F



Typ / Type 6

### AT5 För rembredd 10mm / For Belt width 10mm

Best Nr. Code	Typ Type	Tandantal No. of teeth	De	Df	Dm	F	L	d
21 AT5/12-2	6F	12	17.85	23.0	11	15	21	-
21 AT5/14-2	6F	14	21.05	25.0	14	15	21	-
21 AT5/15-2	6F	15	22.65	28.0	16	14	21	6
21 AT5/16-2	6F	16	24.20	32.0	18	15	21	6
21 AT5/18-2	6F	18	27.40	32.0	20	15	21	6
21 AT5/19-2	6F	19	29.00	37.0	22	15	21	6
21 AT5/20-2	6F	20	30.60	37.0	23	15	21	6
21 AT5/22-2	6F	22	33.85	37.0	24	15	21	6
21 AT5/24-2	6F	24	37.00	43.0	26	15	21	6
21 AT5/25-2	6F	25	38.60	44.0	26	15	21	6
21 AT5/26-2	6F	26	40.20	44.0	26	15	21	6
21 AT5/27-2	6F	27	41.80	48.0	30	15	21	8
21 AT5/28-2	6F	28	43.35	48.0	32	15	21	8
21 AT5/30-2	6F	30	46.55	51.0	34	15	21	8
21 AT5/32-2	6F	32	49.70	54.0	36	15	21	8
21 AT5/36-2	6F	36	56.05	61.0	38	15	21	8
21 AT5/40-2	6F	40	62.45	67.0	40	15	21	8
21 AT5/42-2	6F	42	65.60	70.0	40	15	21	8
21 AT5/44-0	6	44	68.80	-	45	15	21	8
21 AT5/48-0	6	48	75.15	-	50	15	21	8
21 AT5/60-0	6	60	94.25	-	65	15	21	8

### AT5 För rembredd 16mm / For Belt width 16mm

Best Nr. Code	Typ Type	Tandantal No. of teeth	De	Df	Dm	F	L	d
27 AT5/12-2	6F	12	17.85	23.0	11	21	27	-
27 AT5/14-2	6F	14	21.05	25.0	14	21	27	-
27 AT5/15-2	6F	15	22.65	28.0	16	21	27	6
27 AT5/16-2	6F	16	24.20	32.0	18	21	27	6
27 AT5/18-2	6F	18	27.40	32.0	20	21	27	6
27 AT5/19-2	6F	19	29.00	37.0	22	21	27	6
27 AT5/20-2	6F	20	30.60	37.0	23	21	27	6
27 AT5/22-2	6F	22	33.85	37.0	24	21	27	6
27 AT5/24-2	6F	24	37.00	43.0	26	21	27	6
27 AT5/25-2	6F	25	38.60	44.0	26	21	27	6
27 AT5/26-2	6F	26	40.20	44.0	26	21	27	6
27 AT5/27-2	6F	27	41.80	48.0	30	21	27	8
27 AT5/28-2	6F	28	43.35	48.0	32	21	27	8
27 AT5/30-2	6F	30	46.55	51.0	34	21	27	8
27 AT5/32-2	6F	32	49.70	54.0	38	21	27	8
27 AT5/36-2	6F	36	56.06	61.0	38	21	27	8
27 AT5/40-2	6F	40	62.45	67.0	40	21	27	8
27 AT5/42-2	6F	42	65.60	70.0	40	21	27	8
27 AT5/44-0	6	44	68.80	-	45	21	27	8
27 AT5/48-0	6	48	75.15	-	50	21	27	8
27 AT5/60-0	6	60	94.25	-	65	21	27	8

### AT5 För rembredd 25mm / For Belt width 25mm

Best Nr. Code	Typ Type	Tandantal No. of teeth	De	Df	Dm	F	L	d
36 AT5/12-2	6F	12	17.85	23.0	11	30	36	-
36 AT5/14-2	6F	14	21.05	25.0	14	30	36	-
36 AT5/15-2	6F	15	22.65	28.0	16	30	36	6
36 AT5/16-2	6F	16	24.20	32.0	18	30	36	6
36 AT5/18-2	6F	18	27.40	32.0	20	30	36	6
36 AT5/19-2	6F	19	29.00	37.0	22	30	36	6
36 AT5/20-2	6F	20	30.60	37.0	23	30	36	6
36 AT5/22-2	6F	22	33.85	37.0	24	30	36	6
36 AT5/24-2	6F	24	37.00	43.0	26	30	36	8
36 AT5/25-2	6F	25	38.60	44.0	26	30	36	8
36 AT5/26-2	6F	26	40.20	44.0	26	30	36	8
36 AT5/27-2	6F	27	41.80	48.0	30	30	36	8
36 AT5/28-2	6F	28	43.35	48.0	32	30	36	8
36 AT5/30-2	6F	30	46.55	51.0	34	30	36	8
36 AT5/32-2	6F	32	49.70	54.0	38	30	36	8
36 AT5/36-2	6F	36	56.05	61.0	38	30	36	8
36 AT5/40-2	6F	40	62.45	67.0	40	30	36	8
36 AT5/42-2	6F	42	65.60	70.0	40	30	36	8
36 AT5/44-0	6	44	68.80	-	45	30	36	8
36 AT5/48-0	6	48	75.15	-	50	30	36	8
36 AT5/60-0	6	60	94.25	-	65	30	36	8