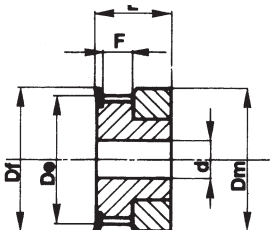


KUGGREMSHJUL PROFIL T

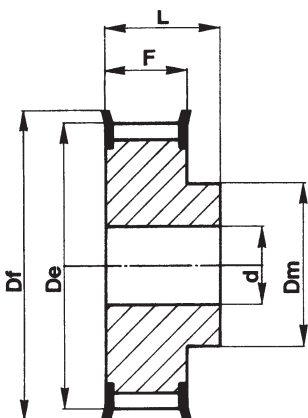
TIMINGBELT PULLEYS PROFILE T

Material: Aluminium med stålflansar

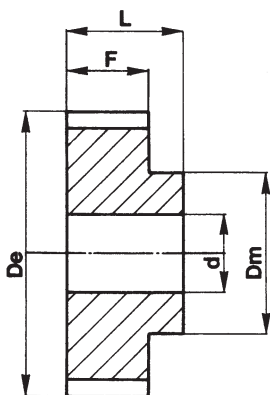
Material: Aluminium with steel flanges



Typ / Type 1F



Typ / Type 6F



Typ / Type 6

T2.5 För rembredd 6mm / For Belt width 6mm

Best Nr. Code	Typ Type	Tandantal No. of teeth	De	Df	Dm	F	L	d
16 T2.5/12-2	1F	12	9.00	13.0	12	9	16	-
16 T2.5/14-2	1F	14	10.60	15.0	14	9	16	-
16 T2.5/15-2	1F	15	11.40	15.0	15	9	16	-
16 T2.5/18-2	6F	18	13.80	17.5	10	10	16	4
16 T2.5/19-2	6F	19	14.60	18.0	10	10	16	4
16 T2.5/20-2	6F	20	15.40	20.0	12	10	16	4
16 T2.5/24-2	6F	24	18.55	23.0	12	10	16	4
16 T2.5/25-2	6F	25	19.35	23.0	14	10	16	4
16 T2.5/30-2	6F	30	23.35	28.0	16	10	16	6
16 T2.5/32-2	6F	32	24.95	32.0	16	10	16	6
16 T2.5/36-2	6F	36	28.10	37.0	20	10	16	6
16 T2.5/40-2	6F	40	31.30	38.0	22	10	16	6
16 T2.5/48-0	6	48	37.70	-	26	10	16	6
16 T2.5/60-0	6	60	47.25	-	34	10	16	8

T5 För rembredd 10mm / For Belt width 10mm

Best Nr. Code	Typ Type	Tandantal No. of teeth	De	Df	Dm	F	L	d
21T5/10-2	6F	10	15.05	20.0	8	15	21	-
21T5/12-2	6F	12	18.25	23.0	11	15	21	-
21T5/14-2	6F	14	21.45	25.0	14	15	21	-
21T5/15-2	6F	15	23.05	28.0	16	15	21	6
21T5/16-2	6F	16	24.60	32.0	18	15	21	6
21T5/18-2	6F	18	27.80	32.0	20	15	21	6
21T5/19-2	6F	19	29.40	37.0	22	15	21	6
21T5/20-2	6F	20	31.00	37.0	24	15	21	6
21T5/24-2	6F	24	37.40	43.0	26	15	21	6
21T5/25-2	6F	25	39.00	44.0	26	15	21	6
21T5/27-2	6F	27	42.20	48.0	30	15	21	8
21T5/30-2	6F	30	46.95	51.0	34	15	21	8
21T5/32-2	6F	32	50.10	54.0	38	15	21	8
21T5/36-2	6F	36	56.45	61.0	38	15	21	8
21T5/40-2	6F	40	62.85	67.0	40	15	21	8
21T5/48-0	6	48	75.55	-	50	15	21	8
21T5/60-0	6	60	94.65	-	65	15	21	8

T5 För rembredd 16mm / For Belt width 16mm

Best Nr. Code	Typ Type	Tandantal No. of teeth	De	Df	Dm	F	L	d
27T5/10-2	6F	10	15.05	20	8	21	27	-
27T5/12-2	6F	12	18.25	23.0	11	21	27	-
27T5/14-2	6F	14	21.45	25.0	14	21	27	-
27T5/15-2	6F	15	23.05	28.0	16	21	27	6
27T5/16-2	6F	16	24.60	32.0	18	21	27	6
27T5/18-2	6F	18	27.80	32.0	20	21	27	6
27T5/19-2	6F	19	29.40	37.0	22	21	27	6
27T5/20-2	6F	20	31.00	37.0	24	21	27	6
27T5/24-2	6F	24	37.40	43.0	26	21	27	6
27T5/25-2	6F	25	39.00	44.0	26	21	27	6
27T5/27-2	6F	27	42.20	48.0	30	21	27	8
27T5/30-2	6F	30	46.95	51.0	34	21	27	8
27T5/32-2	6F	32	50.10	54.0	38	21	27	8
27T5/36-2	6F	36	56.45	61.0	38	21	27	8
27T5/40-2	6F	40	62.85	67.0	40	21	27	8
27T5/48-0	6	48	75.55	-	50	21	27	8
27T5/60-0	6	60	94.65	-	65	21	27	8

T5 För rembredd 25mm / For Belt width 25mm

Best Nr. Code	Typ Type	Tandantal No. of teeth	De	Df	Dm	F	L	d
36T5/10-2	6F	10	15.05	20.0	8	30	36	-
36T5/12-2	6F	12	18.25	23.0	11	30	36	-
36T5/14-2	6F	14	21.45	25.0	14	30	36	-
36T5/15-2	6F	15	23.05	28.0	16	30	36	6
36T5/16-2	6F	16	24.60	32.0	18	30	36	6
36T5/18-2	6F	18	27.80	32.0	20	30	36	6
36T5/19-2	6F	19	29.40	37.0	22	30	36	6
36T5/20-2	6F	20	31.00	37.0	24	30	36	6
36T5/24-2	6F	24	37.40	43.0	26	30	36	8
36T5/25-2	6F	25	39.00	44.0	26	30	36	8
36T5/27-2	6F	27	42.20	48.0	30	30	36	8
36T5/30-2	6F	30	46.95	51.0	34	30	36	8
36T5/32-2	6F	32	50.10	54.0	38	30	36	8
36T5/36-2	6F	36	56.45	61.0	38	30	36	8
36T5/40-2	6F	40	62.85	67.0	40	30	36	8
36T5/48-0	6	48	75.55	-	50	30	36	8
36T5/60-0	6	60	94.65	-	65	30	36	8