

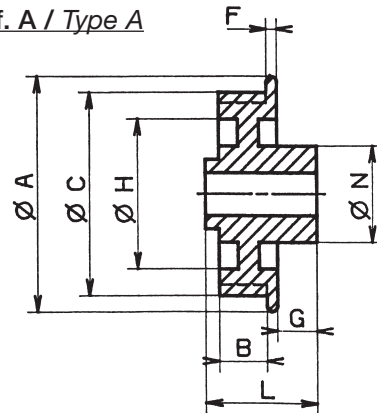
KUGGREMSHJUL, PROFIL T FORMSPRUTADE

TIMING BELT PULLEYS, PROFILE T PLASTIC-MOULDED

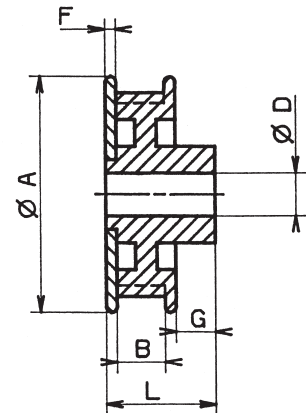
T2.5

Material: Polyacetal
 Material: Polyacetal
 Färg: Svart
 Colour: Black

Utf. A / Type A



Utf. B / Type B



För rembredd 4 mm / For belt width 4 mm

Best. Nr. Code	Best. Nr. Code	Tandantal No. of teeth	C	D	A	L	N	G	B	H	F
4PT2512A	4PT2512B	12	9.00	3.5	10.60	12	9	4.5	5.5	-	1
4PT2513A	4PT2513B	13	9.80	3.5	11.40	12	9	4.5	5.5	-	1
4PT2514A	4PT2514B	14	10.60	3.5	12.20	12	9	4.5	5.5	-	1
4PT2515A	4PT2515B	15	11.40	3.5	13.00	12	9	4.5	5.5	-	1
4PT2516A	4PT2516B	16	12.20	3.5	13.80	12	9	4.5	5.5	-	1
4PT2517A	4PT2517B	17	13.00	3.5	14.60	12	9	4.5	5.5	-	1
4PT2518A	4PT2518B	18	13.80	3.5	15.40	13	10	5.5	5.5	-	1
4PT2519A	4PT2519B	19	14.60	4.0	16.20	13	10	5.5	5.5	-	1
4PT2520A	4PT2520B	20	15.40	4.0	17.00	13	12	5.5	5.5	-	1
4PT2522A	4PT2522B	22	17.00	4.0	18.60	13	12	5.5	5.5	-	1
4PT2525A	4PT2525B	25	19.35	5.0	20.95	13	12	5.5	5.5	14.0	1
4PT2528A	4PT2528B	28	21.75	5.0	23.35	13	12	5.5	5.5	16.2	1
4PT2532A	4PT2532B	32	24.95	5.0	26.55	14	15	6.5	5.5	18.5	1
4PT2536A	4PT2536B	36	28.15	5.0	29.75	14	15	6.5	5.5	21.8	1
4PT2540A	4PT2540B	40	31.30	8.0	32.90	14	18	6.5	5.5	25.0	1
4PT2548A	4PT2548B	48	37.70	8.0	39.30	14	18	6.5	5.5	31.6	1
4PT2560A	4PT2560B	60	47.25	8.0	48.85	14	18	6.5	5.5	41.0	1
4PT2572A	4PT2572B	72	56.80	8.0	58.40	14	18	6.5	5.5	49.5	1
4PT2584A	4PT2584B	84	66.35	8.0	67.95	14	18	6.5	5.5	59.0	1
4PT2596A	4PT2596B	96	75.90	8.0	77.50	14	18	6.5	5.5	68.0	1

För rembredd 6 mm / For belt width 6 mm

Best. Nr. Code	Best. Nr. Code	Tandantal No. of teeth	C	D	A	L	N	G	B	H	F
6PT2512A	6PT2512B	12	9.00	3.5	10.60	14	9	4.5	7.5	-	1
6PT2513A	6PT2513B	13	9.80	3.5	11.40	14	9	4.5	7.5	-	1
6PT2514A	6PT2514B	14	10.60	3.5	12.20	14	9	4.5	7.5	-	1
6PT2515A	6PT2515B	15	11.40	3.5	13.00	14	9	4.5	7.5	-	1
6PT2516A	6PT2516B	16	12.20	3.5	13.80	14	9	4.5	7.5	-	1
6PT2517A	6PT2517B	17	13.00	3.5	14.60	14	9	4.5	7.5	-	1
6PT2518A	6PT2518B	18	13.80	4.0	15.40	15	10	5.5	7.5	-	1
6PT2519A	6PT2519B	19	14.60	4.0	16.20	15	10	5.5	7.5	-	1
6PT2520A	6PT2520B	20	15.40	4.0	17.00	15	12	5.5	7.5	-	1
6PT2522A	6PT2522B	22	17.00	4.0	18.60	15	12	5.5	7.5	-	1
6PT2525A	6PT2525B	25	19.35	5.0	20.95	15	12	5.5	7.5	14.0	1
6PT2528A	6PT2528B	28	21.75	5.0	23.35	15	12	5.5	7.5	16.2	1
6PT2532A	6PT2532B	32	24.95	5.0	26.55	16	15	6.5	7.5	18.5	1
6PT2536A	6PT2536B	36	28.15	5.0	29.75	16	15	6.5	7.5	21.8	1
6PT2540A	6PT2540B	40	31.30	8.0	32.90	16	18	6.5	7.5	25.0	1
6PT2548A	6PT2548B	48	37.70	8.0	39.30	16	18	6.5	7.5	31.6	1
6PT2560A	6PT2560B	60	47.25	8.0	48.85	16	18	6.5	7.5	41.0	1
6PT2572A	6PT2572B	72	56.80	8.0	58.40	16	18	6.5	7.5	49.5	1
6PT2584A	6PT2584B	84	66.35	8.0	67.95	16	18	6.5	7.5	59.0	1
6PT2596A	6PT2596B	96	75.90	8.0	77.50	16	18	6.5	7.5	68.0	1